

# Lutz Flow Meter Program

## The Reasonable: Lutz flow meter TR

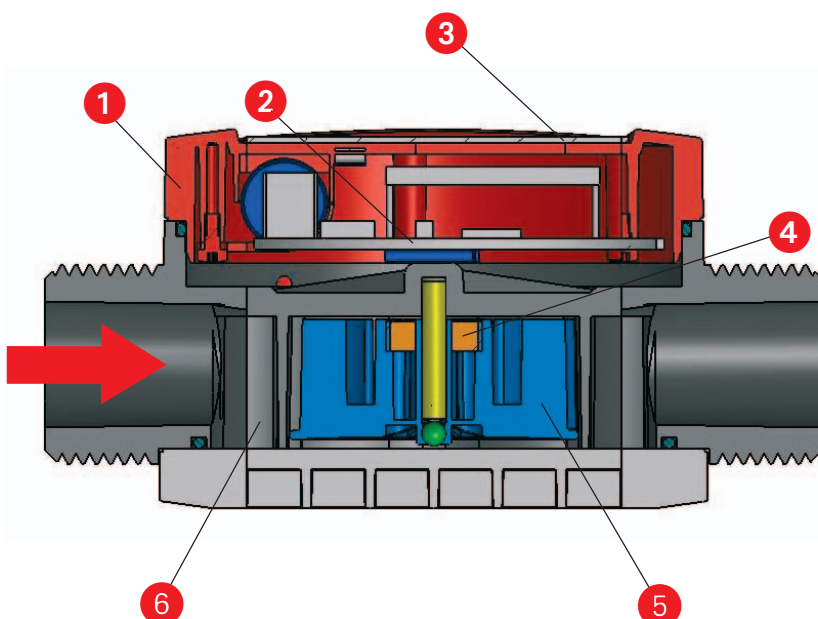


### Easy handling

Easy handling, compact built and a quick assemble to all drum and container pumps: The Lutz flow meter TR in PP or PVDF. A manageable meter which you can count on in all situations. This flow meter measures accurately thin-bodied, non-inflammable liquids.

### The Advantages:

- ✓ Measurement by radial turbine technology
- ✓ Can be combined with all drum and container pumps
- ✓ Wide measuring range
- ✓ Also for small volume flow
- ✓ For thin-bodied, non inflammable liquids
- ✓ Displays both sub-total and total volume
- ✓ Sub totals can be reset
- ✓ Available in PP or PVDF
- ✓ Easy calibration
- ✓ Durable lithium battery



### A quick and reliable measurement: How it works

The flowing liquid causes the turbine to rotate thereby it accurately measures the pulses. The measured values are transmitted and processed electronically. Thereupon the good readable display shows the sub total and the total volume.

- 1 Housing top (PP)
- 2 PCB
- 3 Keypad foil
- 4 Magnet
- 5 Radial turbine wheel (PP or PVDF)
- 6 Measuring chamber (PP or PVDF)

# The economical liquid volume measurement

The choice is yours



**PP for neutral and aggressive liquids**  
such as glycol, ferric (III) chloride, hydrochloric acid, phosphoric acid, etc.

**PVDF for highly aggressive fluids**  
such as chlorine solution, nitric acid, sulphuric acid, etc.

## A quick solution!

The TR series flow meter can be combined with all drum and container pumps with the G 1 or G 1 1/4 connection. Simply attach the union fitting - and it is ready for use.

Type		TR90-PP		TR90-PVDF
<b>Material</b>	housing top keypad	PP PES		PP PES
<b>Material</b> (in contact with the medium)	measuring chamber turbine shaft, bearing ball seal	PP PP Hastelloy C4 (2.4610) FPM		PVDF PVDF Hastelloy C4 (2.4610) FPM
<b>Range of measurement</b>	l/min.	5-90		5-90
<b>Range of viscosity</b>	mPas	0.8-40		0.8-40
<b>Operating pressure</b>	bar	4 (at 20 °C)		4 (at 20 °C)
<b>Accuracy of measurement</b>	%	± 1		± 1
<b>Repeating accuracy</b>	%	± 0.5		± 0.5
<b>Connection</b>		G 1	G 1 1/4	G 1 1/4
<b>Weight</b>	kg	0.3		0.4
<b>Type of protection</b>		IP 65		IP 65
<b>Range of temperature</b>	°C	-10 up to +50		-10 up to +50
<b>Order No.</b>	Assembly at B2 Vario	<b>0213-031</b>	—	—
<b>Order No.</b>	Assembly at Fasspumpe	—	<b>0213-030</b>	<b>0213-040</b>
<b>Order No.</b>	Assembly at Zapfpistole	—	<b>0213-032</b>	<b>0213-042</b>

03