

# Bourdon Tube Pressure Gauges Square and Edgewise Panel Mounting Series, Class 1.6 Model 214.11

WIKA Data Sheet PM 02.07

## Applications

- For gaseous and liquid media that are not highly viscous or crystallising and will not attack copper alloy parts

## Special Features

- Panel mounting
- Ingress protection IP 42



Bourdon Tube Pressure Gauge, Square and Edgewise Panel Mounting Series, Model 214.11

## Description

### Design

DIN 43 700

### Nominal size in mm

48 x 24, 72 x 36, 72 x 72, 96 x 96

### Accuracy class

1.6

### Scale ranges

NS 48 x 24: 0 ... 0.6 to 0 ... 40 bar

NS 72 x 36: 0 ... 0.6 to 0 ... 40 bar

NS 72 x 72: 0 ... 0.6 to 0 ... 400 bar

NS 96 x 96: 0 ... 0.6 to 0 ... 1000 bar

or all other equivalent vacuum or combined pressure and vacuum ranges

### Pressure limitation

Steady:  $\frac{3}{4}$  full scale value

Fluctuating:  $\frac{2}{3}$  full scale value

Short time: full scale value

### Operating temperature

Ambient: -20 ... +60 °C

Medium: +60 °C maximum

### Temperature effect

When temperature of the measuring system deviates from reference temperature (+20 °C):

max.  $\pm 0.4$  %/10 K of true scale value

## Standard version

### Process connection

Cu-alloy ( $\geq 600$  bar stainless steel 316L)  
back mount (BM)  
G  $\frac{1}{4}$  B (male), 14 mm flats  
NS 48 x 24: G  $\frac{1}{8}$  B (male)

### Pressure element

Cu-alloy  
< 60 bar: C-type  
 $\geq 60$  bar: helical type

### Movement

Cu-alloy, wear parts argentan

### Dial

Aluminium, white, black lettering  
NS 72 x 72 and 96 x 96 with pointer stop pin

### Pointer

Aluminium, black

### Case / Chassis (DIN 43 700)

NS 72 x 72 and 96 x 96: case, steel, galvanised  
NS 48 x 24 and 72 x 36: chassis, Cu-alloy

### Window

Instrument glass

### Panel frame / integral wide frame (DIN 43 718)

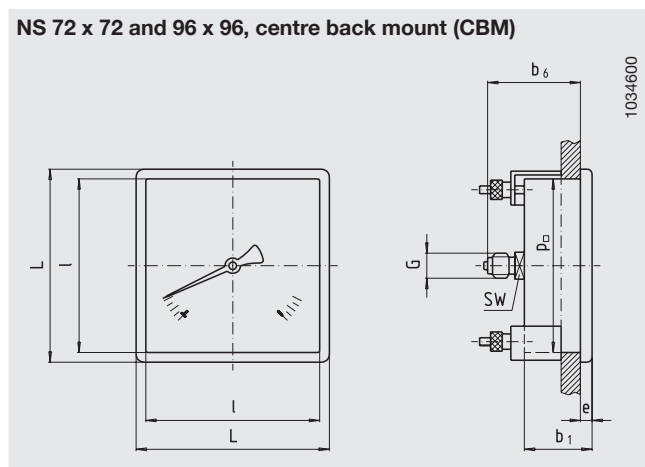
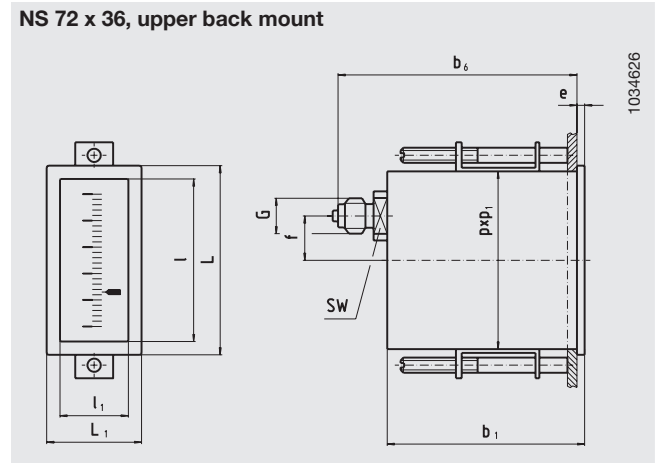
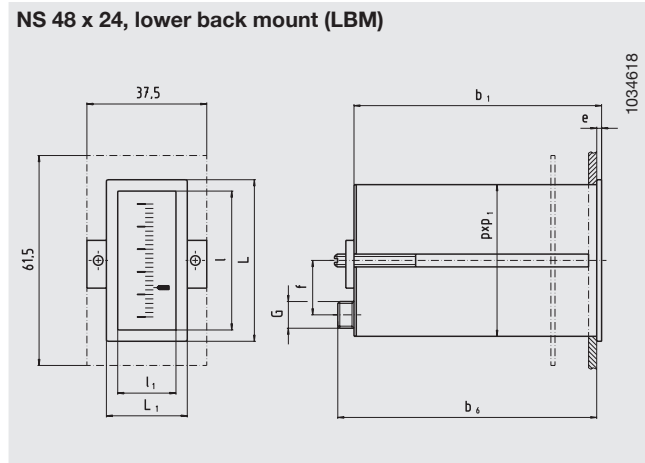
NS 72 x 72, 96 x 96: panel frame, steel, black, narrow,  
snap-fit  
NS 48 x 24: integral wide frame, Cu-alloy, black,  
wide, fixed  
NS 72 x 36: integral wide frame, plastic, black,  
wide, fixed

## Options

- Other process connection
- NS 72 x 72, 96 x 96:  
measuring system stainless steel 316L (model 234.11)  
wide panel frame

# Dimensions in mm

## Standard version



NS	Dimensions in mm											Weight in kg	
	b <sub>1</sub>	b <sub>6</sub>	e	f	G	L	L <sub>1</sub>	l	l <sub>1</sub>	p x p <sub>1</sub>	p <sub>□</sub>		SW
<b>48 x 24</b>	75.5	83.5	2	14	G ½ B	48	24	38	14	44.5 x 20.5	-	-	0.17
<b>72 x 36</b>	74.5	86.5	4	21	G ¼ B	72	36	56	20	66 x 29	-	14	0.25
<b>72 x 72</b>	29	42	6	-	G ¼ B	72	-	62	-	-	66	14	0.30
<b>96 x 96</b>	35	47	6	-	G ¼ B	96	-	88	-	-	90	14	0.40

Process connection per EN 837-1 / 7.3.

## Ordering information

Model / Nominal size / Scale range / Connection size / Connection location / Options

Modifications may take place and materials specified may be replaced by others without prior notice. Specifications and dimensions given in this leaflet represent the state of engineering at the time of printing.



**WIKAL Alexander Wiegand GmbH & Co. KG**  
 Alexander-Wiegand-Straße 30  
 63911 Klingenberg/Germany  
 Tel. (+49) 9372/132-0  
 Fax (+49) 9372/132-406  
 E-mail info@wika.de  
 www.wika.de