

Lutz Vertical Centrifugal Pumps

Submersible Centrifugal Pump B6 in polypropylene (PP) and stainless steel (SS)

Product detail



Pump tube		B6/15 PP	B6/30 PP	B 6/45 PP	B6/60 PP
Category 1 / 2 (acc. to Atex 100a)		no	no	no	no
Shaft seal		MS	MS	MS	MS
Delivery rate*	up to m³/h	24	33	42	56
Delivery head*	up to m wc	9	11	12	15
Viscosity**	up to mPas	4000	3000	2000	1200
Temperature of medium	max. °C	50	50	50	50
Materials	Pump tube	PP	PP	PP	PP
	Impeller	PP	PP	PP	PP
Immersion tube diameter	max. mm	166	166	166	166
Pressure joint	Outer thread	G 2 3/4	G 2 3/4	G 2 3/4	G 2 3/4
Weight (Pump tube 1000 mm + motor)	kg	23.5	25.5	30.5	36.5
Minimum necessary motor power for density 1 kg/dm³	[kW]	1.35	1.95	2.50	3.60
Length 400-1000 mm (when ordering please quote)	Order No.	0118-047	0118-049	0118-051	0118-053
Supplementary length 100 mm (possible from 1100 - 3000 mm)	Order No.	0118-419	0118-419	0118-419	0118-419



Pump tube		B6/15 SS	B6/30 SS	B 6/45 SS	B6/60 SS
Category 1 / 2 (acc. to Atex 100a)		no	no	no	no
Shaft seal		MS	MS	MS	MS
Delivery rate*	up to m³/h	21	33	39	51
Delivery head*	up to m wc	8	11	11,5	14
Viscosity**	up to mPas	4000	3000	2000	1200
Temperature of medium	max. °C	100	100	100	100
Material	Pump tube	1.4571	1.4571	1.4571	1.4571
	Impeller	ETFE	ETFE	ETFE	ETFE
Immersion tube diameter	max. mm	160	160	160	160
Pressure joint	Outer thread	G 2 1/4	G 2 1/4	G 2 1/4	G 2 1/4
Weight (Pump tube 1000 mm + motor)	ca. kg	28	30	35	41
Minimum necessary motor power for density 1 kg/dm³	[kW]	1.05	1.75	1.80	3.30
Length 400-1000 mm (when ordering please quote)	Order No.	0118-067	0118-069	0118-071	0118-073
Supplementary length 100 mm (possible from 1100 - 3000 mm)	Order No.	0118-421	0118-421	0118-421	0118-421

*determined with water at 20 °C ** determined with oil

The immersion depths specified in the table are measured from lower surface of the pump foot to center discharge (dimension C in the dimensional drawing). When using an installation flange, the submersion depth is reduced.

Choice of motors



Type	1.5 kW, IP 55	2.2 kW, IP 55	3.0 kW, IP 55	4.0 kW, IP 55	1.5 kW, IP 54 protection switch
Order No.	0006-076	0006-077	0006-089	0006-078	0006-307
Type	2.2 kW, IP 54 Protection switch	1.3 kW EEx e II T3, IP 54	1.85 kW EEx e II T3, IP 54	2.5 kW EEx e II T3, IP 54	3.3 kW EEx e II T3, IP 54
Order No.	0006-308	0006-303	0006-304	0006-305	0006-306

Single phase motor

Output 1.5 up to 4.0 kW, 230/400 V, 50 Hz, approx. 2800 1/min., protection class IP 54/IP 55.

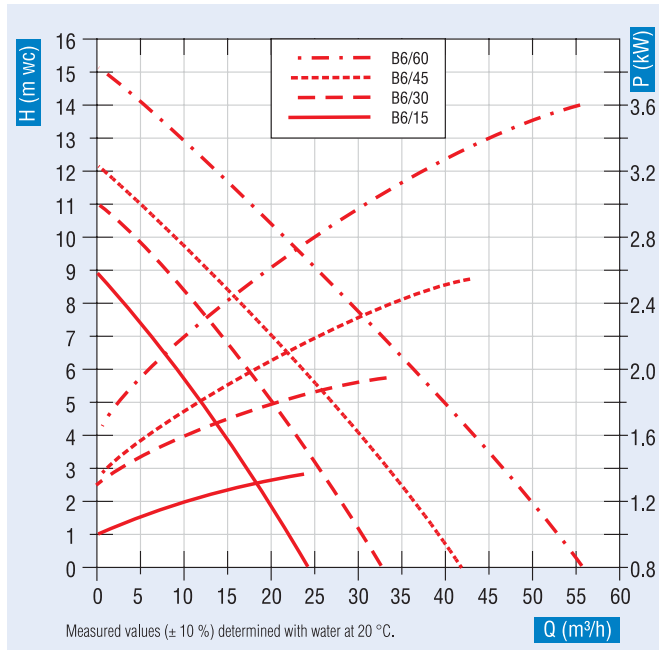
Submersible Centrifugal Pump B6

No experiments

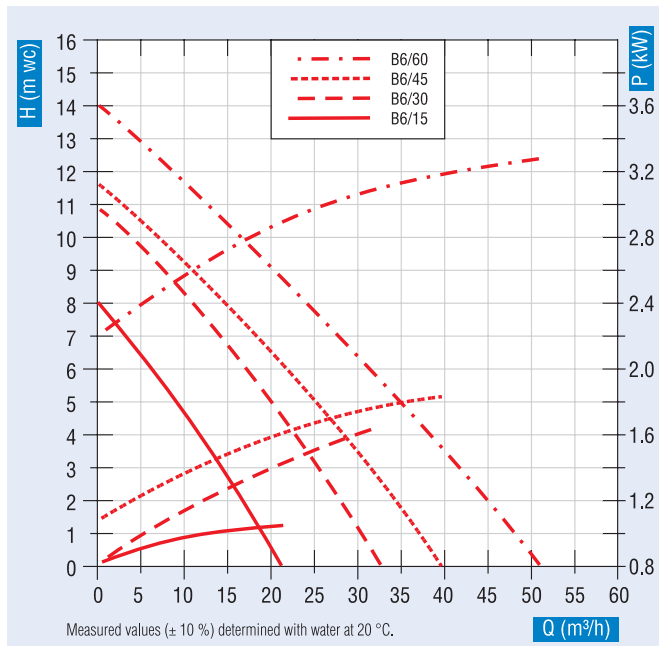
Materials (coming into contact with the pumped medium):

	B6 PP	B6 SS
Housing:	PP	Stainless Steel (1.4571)
Impeller:	PP	ETFE
Seals:	Viton®	Viton®
Mechanical Seal:	Ceramic, Viton®, HC	Ceramic, Viton®, SS
Drive shaft:	HC-4 (2.4610)	Stainless steel (1.4571)

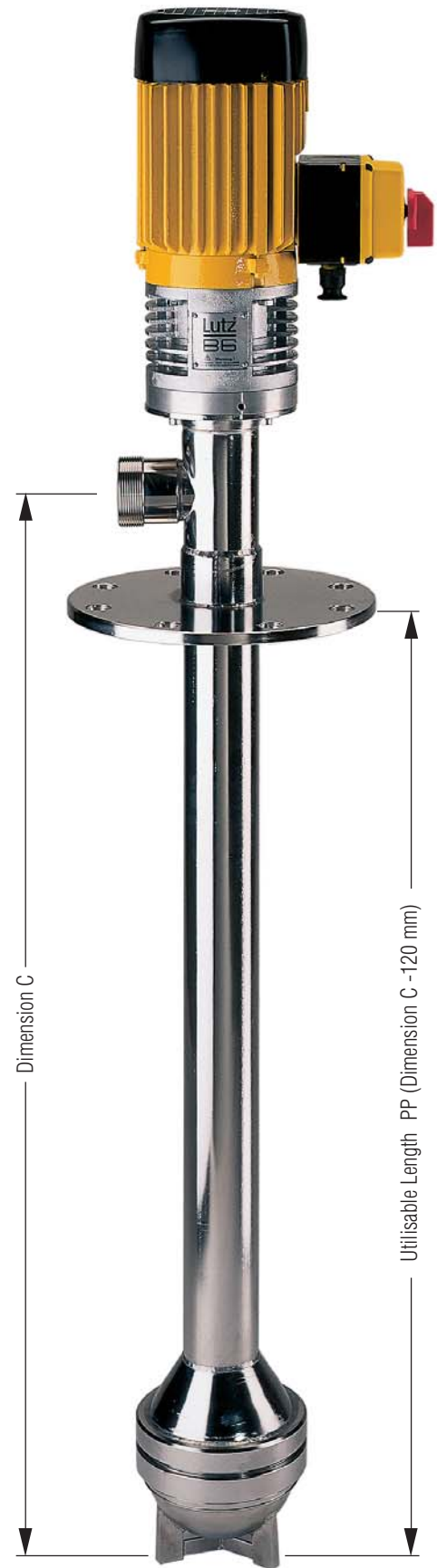
Viton® is a registered trademark of DuPont Dow Elastomers.



Dimension curve B6 PP



Dimension curve B6 SS



Detail dimensions see chapter 06 page 287



Suitable range of accessories see page 213 - 215.