

Lutz Double Diaphragm Pumps

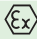
Model 1/2" Bolted Version (non metallic)

Operating data / Dimensions / Weights			
	DMP 1/2" PP	DMP 1/2" Kynar®	DMP 1/2" Nylon
Housing material:	Polypropylene	Kynar®	Nylon
Diaphragm materials:	Geolast®, Santoprene®, Teflon®, Viton®	Teflon®, Santoprene®, Viton®	Geolast®, Teflon®
Valve ball materials:	Geolast®, Santoprene®, Teflon®, Viton®	Teflon®, Santoprene®, Viton®	Geolast®, Teflon®
Seals:	Geolast®, Santoprene®, Teflon®, Viton®	Teflon®, Santoprene®, Viton®	Geolast®, Teflon®
Valve seat:	PP	Kynar®	Kynar®, SS*
Flow rate:	65 l/min.	65 l/min.	65 l/min.
Volume per stroke:	530 cm³	530 cm³	530 cm³
Suction lift: with Max-Pass™ Valve	6 m	6 m	6 m
Suction lift dry:	4.5 m	4.5 m	4.5 m
Suction lift (Teflon®):	3 m	3 m	3 m
Operating pressure:	max. 8 bar	max. 8 bar	max. 8 bar
Temperature limits:	66 °C	93 °C	66 °C
Solids handling: with Max-Pass™ Valve	max. ø 9.5 mm	max. ø 9.5 mm	max. ø 9.5 mm
Solids handling:	max. ø 3.2 mm	max. ø 3.2 mm	max. ø 3.2 mm
Air inlet:	1/4" NPT female (G 1/2 BSP female) ¹⁾	1/4" NPT female (G 1/2 BSP female) ¹⁾	1/4" NPT female (G 1/2 BSP female) ¹⁾
Air outlet:	3/8" NPT female	3/8" NPT female	3/8" NPT female
Suction:	1/2" BSP female	1/2" BSP female	1/2" BSP female
Discharge:	1/2" BSP female	1/2" BSP female	1/2" BSP female
Weight:	4.1 kg	5.4 kg	4.1 kg

¹⁾if the air flow control valve is used (not included in the delivery extent – see page 190).

Material description:

Geolast®	= NBR/PP-compound
Kynar®	= PVDF = Polyvinylidene fluoride
Nylon	= PA = Polyamide-compound
Polypropylene	= PP
Santoprene®	= EPDM/PP-compound
Teflon®	= PTFE = Polytetrafluorethylene
Viton®	= FPM = Fluoro Elastomer
Urethane	= PUR

Type	Materials of construction		Order No.
	Housing	Diaphragms, Valve balls, Seals	
DMP 1/2" PPB PP/Geolast®	PP	Geolast®	5701+000
DMP 1/2" PPB PP/Geolast® (with Max-Pass™)	PP	Geolast®	5701+002
DMP 1/2" PPT PP/Teflon®	PP	Teflon®	5701+020
DMP 1/2" PPE PP/Santoprene®	PP	Santoprene®	5701+100
DMP 1/2" PPE PP/Santoprene® (with Max-Pass™)	PP	Santoprene®	5701+102
DMP 1/2" PPV PP/Viton®	PP	Viton®	5701+120
DMP 1/2" PPV PP/Viton® (with Max-Pass™)	PP	Viton®	5701+122
DMP 1/2" KNT PVDF/Teflon®	Kynar®	Teflon®	5701+080
DMP 1/2" NT Nylon/Teflon®	Nylon	Teflon®	5701+040
DMP 1/2" NTC Nylon/Teflon®* 	Nylon	Teflon®	5701+160
DMP 1/2" NB Nylon/Geolast®	Nylon	Geolast®	5701+200
DMP 1/2" NB Nylon/Geolast® (with Max-Pass™)	Nylon	Geolast®	5701+202

*conductive version Ex II 2G CT4

Teflon® and Viton® are registered Trademarks of DuPont Dow Elastomers. Kynar® is a registered Trademark of Pennwalt Corp. Santoprene® is a registered Trademark of Monsanto Company. Geolast® is a registered Trademark of Advanced Elastomer Systems.

Lutz Double Diaphragm Pumps

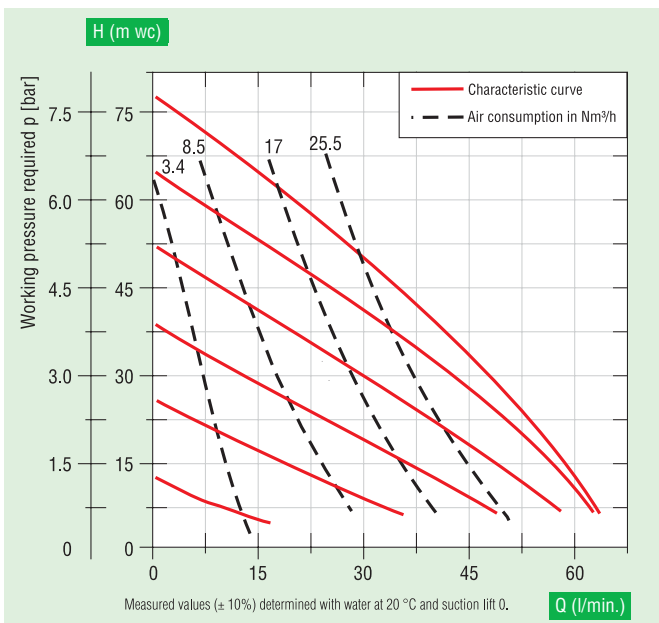
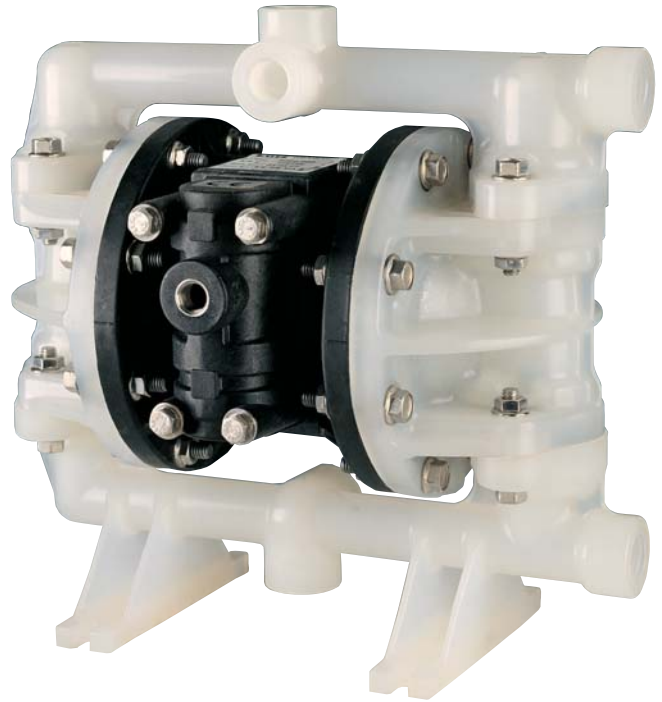
Model 1/2" Bolted Version (non metallic)

Typical application:

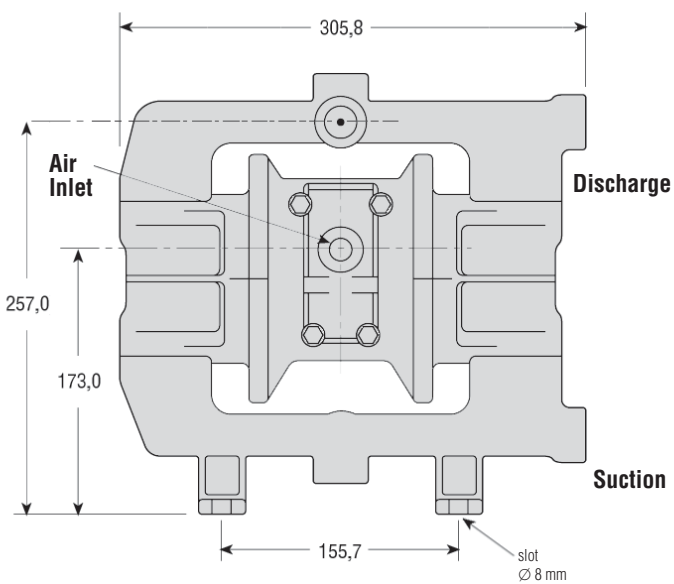
200 l-drum pumping, ink recirculation and feed, chemicals, solvents, acids, soap dispensing



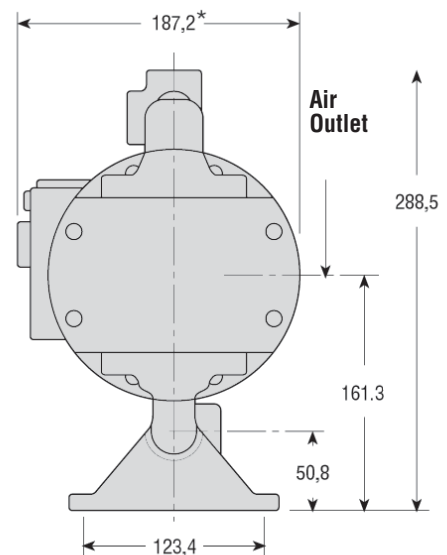
Max-Pass™ optional
(Details see page 197)



Suitable range of accessories see pages 186 - 197.



Front View



Side View

* Approximate Dimension with Muffler (187.2)

Individual datasheets on request.
Dimensions in mm