

# Lutz Double Diaphragm Pumps

## Model 1" Bolted Version (metallic)


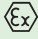

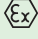
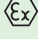
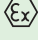
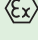

### Operating data / Dimensions / Weights

|                       | DMP 1" Aluminium                                    | DMP 1" Stainless Steel                              |
|-----------------------|---|---|
| Housing material:     | Aluminium   | Stainless Steel 1.4404 (316)                        |
| Diaphragm materials:  | Geolast®, Santoprene®, Teflon®, Viton®              | Geolast®, Teflon®, Santoprene®, Viton®              |
| Valve ball materials: | Geolast®, Santoprene®, Teflon®, Viton®              | Geolast®, Teflon®, Santoprene®, Viton®              |
| Seals:                | Geolast®, Teflon®, Santoprene®, Viton®              | Geolast®, Teflon®, Santoprene®, Viton®              |
| Valve seat:           | PP, Nylon   | Stainless Steel                                     |
| Flow rate:            | 156 l/min.  | 156 l/min.  |
| Volume per stroke:    | 817 cm <sup>3</sup>                                 | 817 cm <sup>3</sup>                                 |
| Suction lift dry:     | 4.5 m   | 4.5 m   |
| Suction lift Teflon®: | 3 m   | 3 m   |
| Operating pressure:   | max. 8.0 bar  | max. 8.0 bar  |
| Temperature limits:   | 93 °C   | 93 °C   |
| Solids handling:      | max. ø 6.4 mm                                       | max. ø 6.4 mm                                       |
| Air inlet:            | 1/4" NPT female<br>(G 1/2 BSP female) <sup>1)</sup> | 1/4" NPT female<br>(G 1/2 BSP female) <sup>1)</sup> |
| Air outlet:           | 3/8" NPT female                                     | 3/8" NPT female                                     |
| Suction:              | 1" BSP female                                       | 1" BSP female                                       |
| Discharge:            | 1" BSP female                                       | 1" BSP female                                       |
| Weight:               | 10.5 kg   | 20.4 kg   |

<sup>1)</sup>if the air flow control valve is used (not included in the delivery extent – see page 190).

### Material description:

|               |                                 |
|---------------|---------------------------------|
| Geolast®      | = NBR/PP-compound               |
| Kynar®        | = PVDF = Polyvinylidenfluoride  |
| Nylon         | = PA = Polyamide-compound       |
| Polypropylene | = PP                            |
| Santoprene®   | = EPDM/PP-compound              |
| Teflon®       | = PTFE = Polytetrafluorethylene |
| Viton®        | = FPM = Fluoro Elastomer        |

| Type  | Materials of construction |                                | Order No. |
|---|---------------------------|--------------------------------|-----------|
|   | Housing                   | Diaphragms, Valve balls, Seals |           |
| DMP 1" ALB Alu/Geolast®*     | Aluminium                 | Geolast®                       | 5712+000  |
| DMP 1" ALE Alu/Santoprene®*  | Aluminium                 | Santoprene®                    | 5712+040  |
| DMP 1" ALT Alu/Teflon®*      | Aluminium                 | Teflon®                        | 5712+020  |
| DMP 1" ALV Alu/Viton®*       | Aluminium                 | Viton®                         | 5712+060  |
| DMP 1" SSB SS/Geolast®*      | Stainless Steel           | Geolast®                       | 5722+040  |
| DMP 1" SSE SS/Santoprene®*   | Stainless Steel           | Santoprene®                    | 5722+020  |
| DMP 1" SST SS/Teflon®*       | Stainless Steel           | Teflon®                        | 5722+000  |
| DMP 1" SSV SS/Viton®*        | Stainless Steel           | Viton®                         | 5722+060  |

\*Ex II 2G CT4

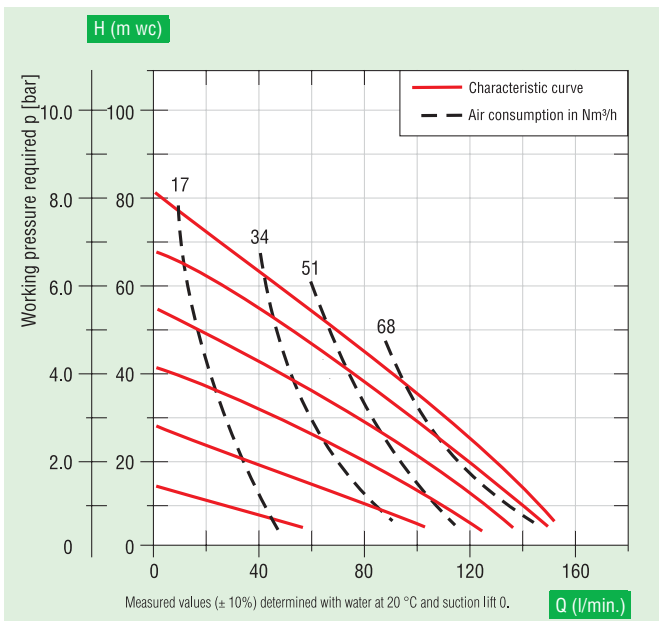
Teflon® and Viton® are registered Trademarks of DuPont Dow Elastomers. Kynar® is a registered Trademark of Pennwalt Corp. Santoprene® is a registered Trademark of Monsanto Company. Geolast® is a registered Trademark of Advanced Elastomer Systems.

# Lutz Double Diaphragm Pumps

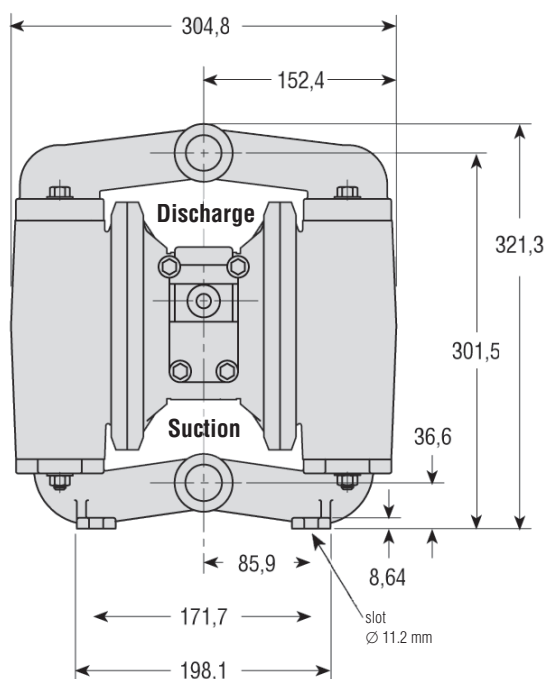
## Model 1" Bolted Version (metallic)

### Typical application:

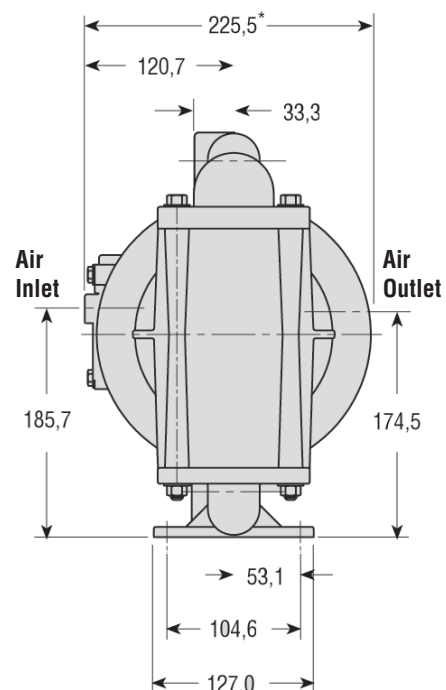
Drum and small tank transfer, pickling solutions, chemical feed



Explosion proof protection  
 Suitable range of accessories for avoiding electrostatic charge see pages 186 - 197.



Front View



Side View

\*Approximate Dimension with Muffler (260.4)

Individual datasheets on request.  
 Dimensions in mm

04