

Lutz Double Diaphragm Pumps

Model 1/2" Bolted Version (metallic)


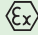
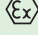
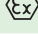
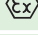
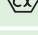
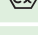

Operating data / Dimensions / Weights

	DMP 1/2" Aluminium	DMP 1/2" Stainless Steel
Housing material:	Aluminium	Stainless Steel 1.4404 (316)
Diaphragm materials:	Geolast®, Santoprene®, Teflon®, Viton®	Geolast®, Teflon®, Santoprene®, Viton®
Valve ball materials:	Geolast®, Santoprene®, Teflon®, Viton®	Geolast®, Teflon®, Santoprene®, Viton®
Seals:	Geolast®, EPDM, Teflon®, Viton®	Geolast®, EPDM, Teflon®, Viton®
Valve seat:	PP, Nylon	Stainless Steel
Flow rate:	65 l/min.	65 l/min.
Volume per stroke:	530 cm³	530 cm³
Suction lift dry:	4.5 m	4.5 m
Suction lift Teflon®:	3 m	3 m
Operating pressure:	max. 8.0 bar	max. 8.0 bar
Temperature limits:	93 °C	93 °C
Solids handling:	max. ø 3.2 mm	max. ø 3.2 mm
Air inlet:	1/4" NPT female (G 1/2 BSP female) ¹⁾	1/4" NPT female (G 1/2 BSP female) ¹⁾
Air outlet:	3/8" NPT female	3/8" NPT female
Suction:	1/2" BSP female	1/2" BSP female
Discharge:	1/2" BSP female	1/2" BSP female
Weight:	4.5 kg	8.6 kg

¹⁾if the air flow control valve is used (not included in the delivery extent – see page 190).

Material description:

Geolast®	= NBR/PP-compound
Kynar®	= PVDF = Polyvinylidenfluoride
Nylon	= PA = Polyamide-compound
Santoprene®	= EPDM/PP-compound
Teflon®	= PTFE = Polytetrafluorethylene
Viton®	= FPM = Fluoro Elastomer

Type	Materials of construction		Order No.
	Housing	Diaphragms, Valve balls, Seals	
DMP 1/2" ALB Alu/Geolast®* 	Aluminium	Geolast®	5711+000
DMP 1/2" ALE Alu/Santoprene®* 	Aluminium	Santoprene®	5711+040
DMP 1/2" ALT Alu/Teflon®* 	Aluminium	Teflon®	5711+020
DMP 1/2" ALV Alu/Viton®* 	Aluminium	Viton®	5711+060
DMP 1/2" SSB SS/Geolast®* 	Stainless Steel	Geolast®	5721+040
DMP 1/2" SSE SS/Santoprene®* 	Stainless Steel	Santoprene®	5721+020
DMP 1/2" SST SS/Teflon®* 	Stainless Steel	Teflon®	5721+000
DMP 1/2" SSV SS/Viton®* 	Stainless Steel	Viton®	5721+060

*Ex II 2G CT4

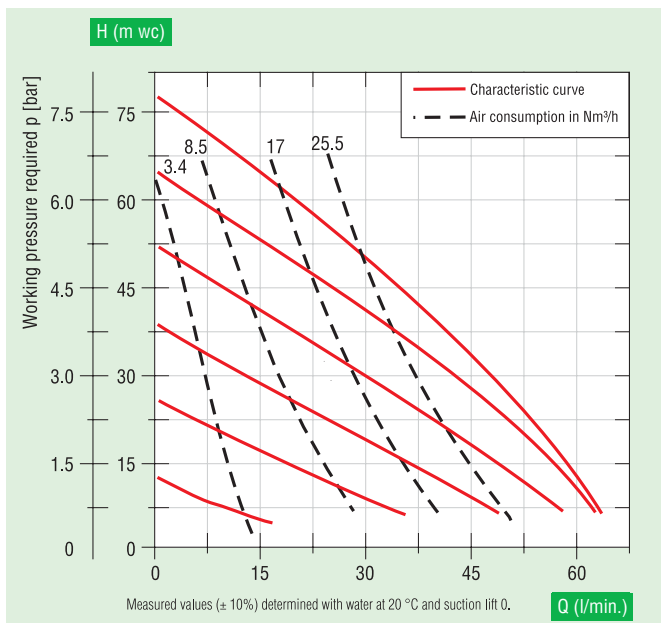
Teflon® and Viton® are registered Trademarks of DuPont Dow Elastomers. Kynar® is a registered Trademark of Pennwalt Corp. Santoprene® is a registered Trademark of Monsanto Company. Geolast® is a registered Trademark of Advanced Elastomer Systems.

Lutz Double Diaphragm Pumps

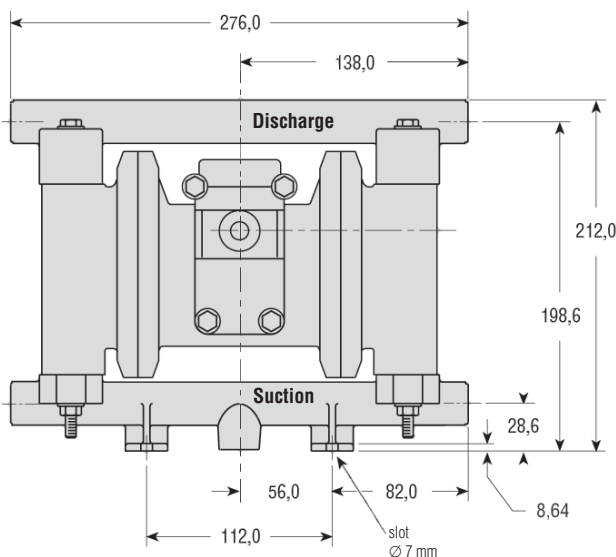
Model 1/2" Bolted Version (metallic)

Typical application:

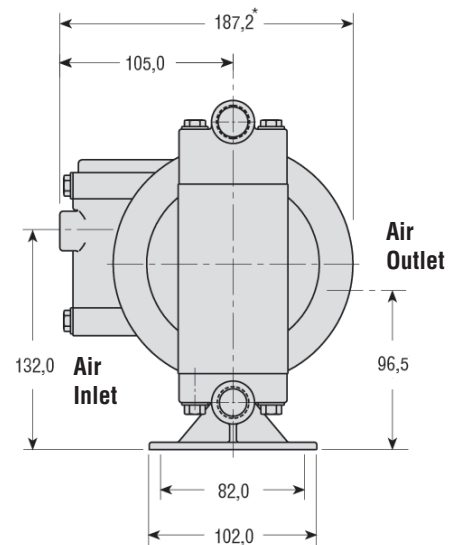
200 l-drum pumping, ink recirculation and feed, chemicals, solvents, acids, soap dispensing



Explosion proof protection
Suitable range of accessories for avoiding electrostatic charge see pages 186 - 197.



Front View



Side View

*Approximate Dimension with Muffler (187.2)

Individual datasheets on request.
Dimensions in mm