

Bourdon Tube Pressure Gauges Test Gauge Series, Class 0.6 Model 311.11

WIKA Data Sheet PM 03.02

Applications

- For gaseous and liquid media that are not highly viscous or crystallising and will not attack copper alloy parts
- Precision measurement in laboratories
- High-accuracy pressure measurement
- Testing of industrial type pressure gauges

Special Features

- Knife edge pointer for optimal accuracy of reading
- Precise movement with wear parts of argentan
- Particularly easy-to-read scale due to nominal size 250
- Scale ranges up to 0 ... 1600 bar



Test Gauge Series Model 311.11

Description

Design

EN 837-1

Nominal size in mm

250

Accuracy class

0.6

Scale ranges

0 ... 0.6 to 0 ... 1600 bar
or all other equivalent vacuum or combined pressure and vacuum ranges

Adjustment medium

≤ 25 bar: gas
> 25 bar: liquid (inside of measuring system dried afterwards)

Pressure limitation

Steady: full scale value
Fluctuating: 0.9 x full scale value
Short time: 1.3 x full scale value

Operating temperature

Ambient: -40 ... +60 °C
Medium: +80 °C maximum

Temperature effect

When temperature of the measuring system deviates from reference temperature (+20 °C):
max. ±0.4 %/10 K of true scale value

Ingress protection

IP 54 per EN 60 529 / IEC 529

Standard version

Process connection

Cu-alloy,
lower mount (LM) or lower back mount (LBM),
G ½ B (male), 22 mm flats

Pressure element

< 100 bar: Cu-alloy, C-type
≥ 100 bar: stainless steel 316L, helical type
≥ 1000 bar: Ni-Fe-alloy (Ni-Span C), helical type

Movement

Cu-alloy, wear parts argantan

Dial

Aluminium, white, black lettering

Pointer

Knife edge pointer, aluminium, black

Case

Steel, black

Window

Instrument glass

Bezel ring

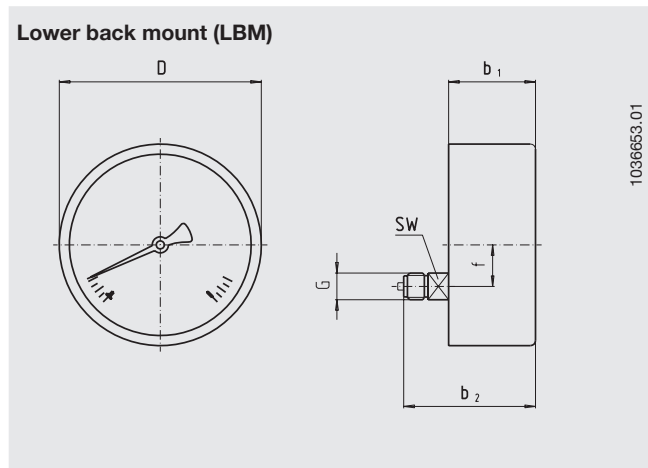
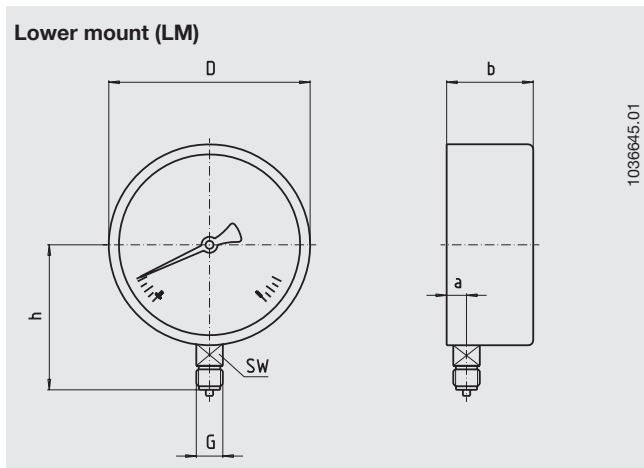
Slip-on bezel, steel, black

Options

- Other process connection
- Measuring system stainless steel 316L, scale range up to 0 ... 600 bar (Model 331.11)
- Surface or panel mounting flange
- Higher accuracy class: class 0.25 per EN 837-1 or Grade 3A per ASME B 40.1 (scale ranges ≥ 1600 bar lower mount only)

Dimensions in mm

Standard version



NS	Dimensions in mm									Weight in kg
	a	b	b ₁	b ₂	D	f	G	h ± 1	SW	
250	17	51.5 ¹⁾	51.5 ¹⁾	83.5 ¹⁾	250	50	G ½ B	165	22	3.00

Process connection per EN 837-1 / 7.3

1) Plus 13 mm with scale ranges ≤ 4 bar and ≥ 100 bar

Ordering information

Model / Nominal size / Scale range / Connection size / Connection location / Options

Modifications may take place and materials specified may be replaced by others without prior notice.
Specifications and dimensions given in this leaflet represent the state of engineering at the time of printing.



WIKAI Alexander Wiegand GmbH & Co. KG
Alexander-Wiegand-Straße 30
63911 Klingenberg/Germany
Tel. (+49) 93 72/132-0
Fax (+49) 93 72/132-406
E-Mail info@wika.de
www.wika.de