

Lutz Double Diaphragm Pumps



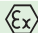
Model 3/8" Clamped Version (non-metallic)

Operating data / Dimensions / Weights			
	DMP 3/8" PP	DMP 3/8" Kynar®	DMP 3/8" Nylon
Housing material:	Polypropylene	Kynar®	Nylon
Diaphragm materials:	Geolast®, Santoprene®, Teflon®	Santoprene®, Teflon®	Geolast®, Teflon®
Valve materials:	Geolast®, Santoprene®, Teflon®, Viton®	Santoprene®, Teflon®, Viton®	Geolast®, Teflon®, Viton®
Seals:	Geolast®, EPDM, Teflon®, Viton®	Teflon®	Geolast®, Teflon®
Valve seat Teflon®:	PP	Kynar®	Stainless Steel
Flow rate:	34 l/min.	34 l/min.	34 l/min.
Volume per stroke:	45 cm³	45 cm³	45 cm³
Suction lift dry: with Max-Pass Valve™	5.2 m	5.2 m	5.2 m
Suction lift Teflon®:	3 m	3 m	3 m
Operating pressure:	max. 8 bar	max. 8 bar	max. 8 bar
Temperature limits:	66 °C	93 °C	66 °C
Solids handling: with Max-Pass Valve™	max. ø 6.4 mm	max. ø 6.4 mm	max. ø 6.4 mm
Solids handling:	max. ø 1.6 mm	max. ø 1.6 mm	max. ø 1.6 mm
Air inlet:	1/4" NPT female (G 1/2 BSP female) ¹⁾	1/4" NPT female (G 1/2 BSP female) ¹⁾	1/4" NPT female (G 1/2 BSP female) ¹⁾
Air outlet:	3/8" NPT female	3/8" NPT female	3/8" NPT female
Suction:	3/8" BSP female	3/8" BSP female	3/8" BSP female
Discharge:	3/8" BSP female	3/8" BSP female	3/8" BSP female
Weight:	1.7 kg	2.3 kg	2.3 kg

¹⁾if the air flow control valve is used (not included in the delivery extent – see page 190).

Material description:

Geolast®	= NBR/PP-compound
Kynar®	= PVDF = Polyvinylidene fluoride
Nylon	= PA = Polyamide-compound
Polypropylene	= PP
Santoprene®	= EPDM/PP-compound
Teflon®	= PTFE = Polytetrafluorethylene
Viton®	= FPM = Fluoro Elastomer

Type	Materials of construction		Order No.
	Housing	Diaphragms, Valves, Seals	
DMP 3/8" PPB Geolast®	PP	Geolast®	5706-000
DMP 3/8" PPE Santoprene®	PP	Santoprene®	5706-020
DMP 3/8" PPT/TF Teflon®	PP	Teflon®	5706-040
DMP 3/8" PPV Viton®	PP	Teflon®	5706-060
DMP 3/8" KNE Santoprene®	Kynar®	Santoprene®	5706-080
DMP 3/8" KNT Teflon®	Kynar®	Teflon®	5706-100
DMP 3/8" KNV Viton®	Kynar®	Teflon®	5706-120
DMP 3/8" NTC Teflon®* 	Nylon	Teflon®	5706-140
DMP 3/8" NBC Geolast®* 	Nylon	Geolast®	5706-160
DMP 3/8" NVC Viton®* 	Nylon	Teflon®	5706-180

*conductive version Ex II 2G CT4

Teflon® and Viton® are registered Trademarks of DuPont Dow Elastomers. Kynar® is a registered Trademark of Pennwalt Corp. Santoprene® is a registered Trademark of Monsanto Company. Geolast® is a registered Trademark of Advanced Elastomer Systems.

Lutz Double Diaphragm Pumps

Model 3/8" Clamped Version (non-metallic)

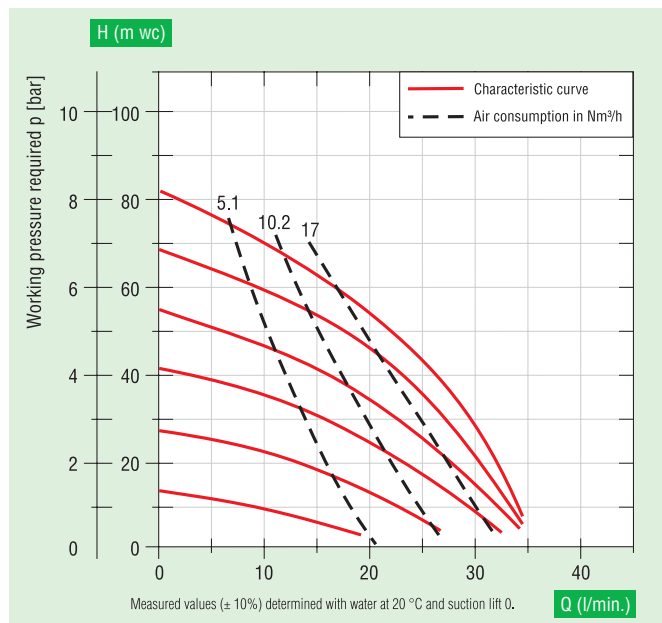
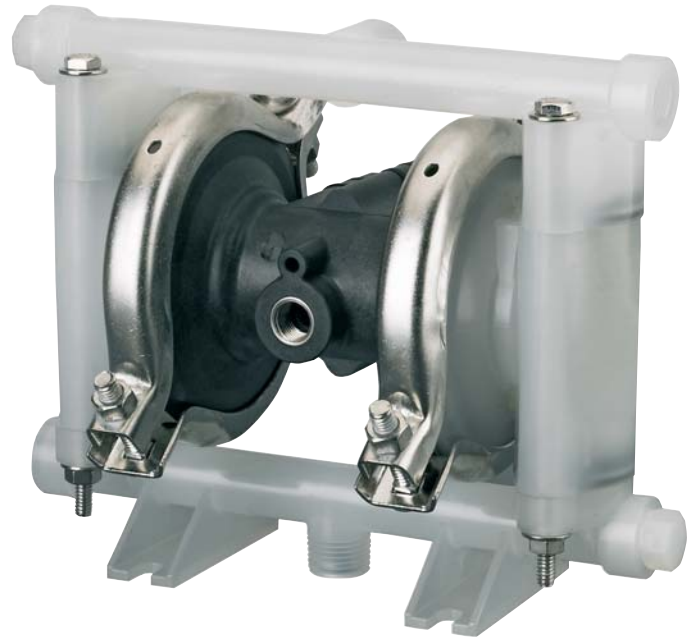
Typical application:

Chemical recirculation and feed, liquids with solid particles, e.g. paints and lacquers, electroplating, etc.

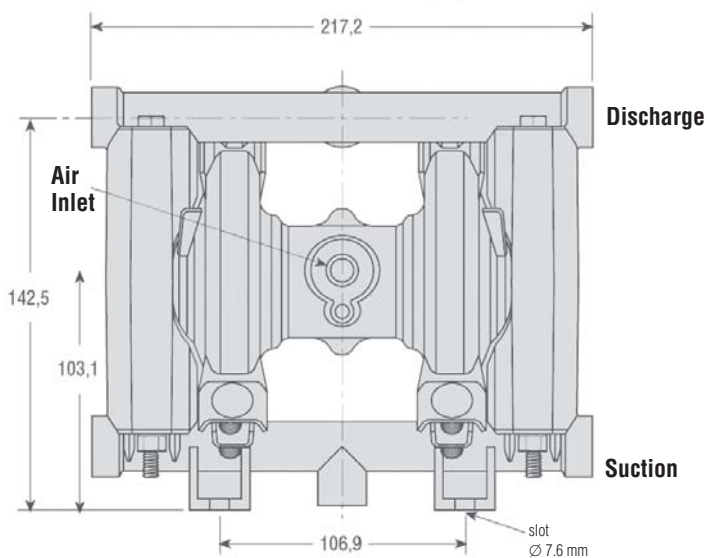


Max-Pass™ included
(Details see page 197)

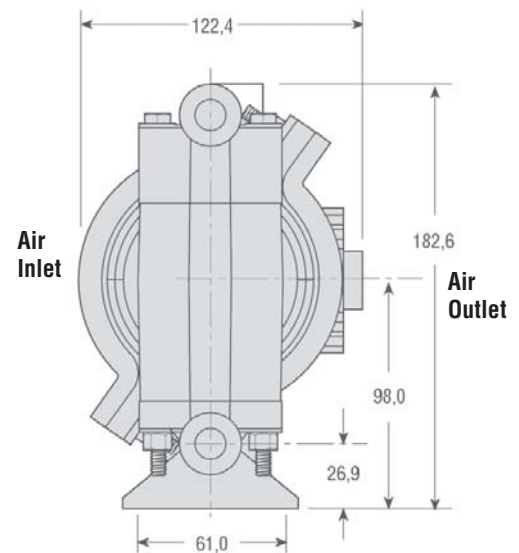
Teflon versions with ball valve.



Suitable range of accessories see pages 186 - 197.



Front View



Side View

Individual datasheets
on request.
Dimensions in mm