

Lutz Double Diaphragm Pumps

Model 3" Bolted Version (metallic)

Operating data / Dimensions / Weights	
DMP 3" Aluminium	
Housing material:	Aluminium
Diaphragm materials:	Urethane, Teflon®, Santoprene®, Viton®
Valve ball materials:	Geolast®, Teflon®, Santoprene®
Seals:	Geolast®, EPDM, Teflon®
Valve seat:	PP, Nylon, EPDM, Viton®
Flow rate:	965 l/min.
Volume per stroke:	4600 cm ³
Suction lift dry:	4.5 m
Suction lift Teflon®:	3 m
Operating pressure:	max. 8.5 bar
Temperature limits:	93 °C
Solids handling:	max. ø 11.1 mm
Air inlet:	3/4" NPT female (3/4" BSP female) ¹⁾
Air outlet:	3/4" NPT female
Suction:	3" BSP female
Discharge:	3" BSP female
Weight:	59 kg

¹⁾if the air flow control valve is used (not included in the delivery extent – see page 190).

Material description:

Geolast®	= NBR/PP-compound
Nylon	= PA = Polyamide-compound
Polypropylene	= PP
Santoprene®	= EPDM/PP-compound
Teflon®	= PTFE = Polytetrafluorethylene
Viton®	= FPM = Fluoro Elastomer
Polyurethane	= PUR

Type	Materials of construction		Order No.
	Housing	Diaphragms, Valve balls, Seals	
DMP 3" ALB Alu/Urethane	Aluminium	Polyurethane, NBR	5715+000
DMP 3" ALE Alu/Santoprene®	Aluminium	Santoprene®, EPDM	5715+020
DMP 3" ALT Alu/Teflon®	Aluminium	Teflon®	5715+040
DMP 3" ALV Alu/Viton®	Aluminium	Viton®	5715+060

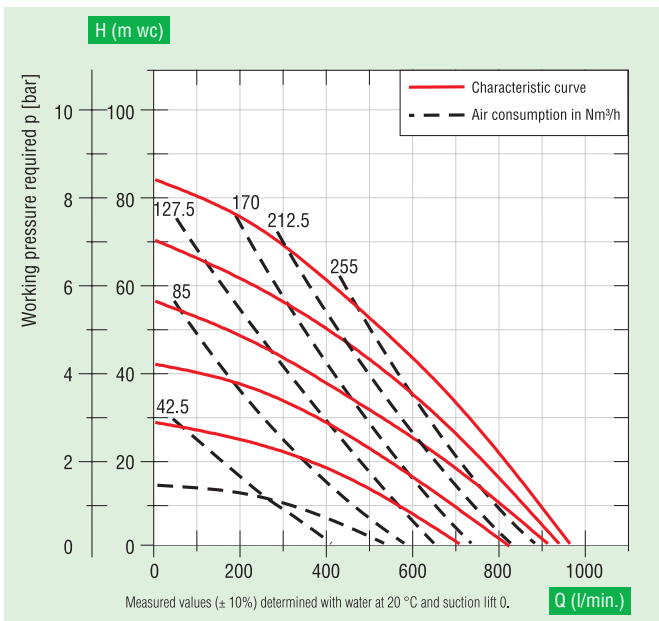
Teflon® and Viton® are registered Trademarks of DuPont Dow Elastomers. Kynar® is a registered Trademark of Pennwalt Corp. Santoprene® is a registered Trademark of Monsanto Company. Geolast® is a registered Trademark of Advanced Elastomer Systems.

Lutz Double Diaphragm Pumps

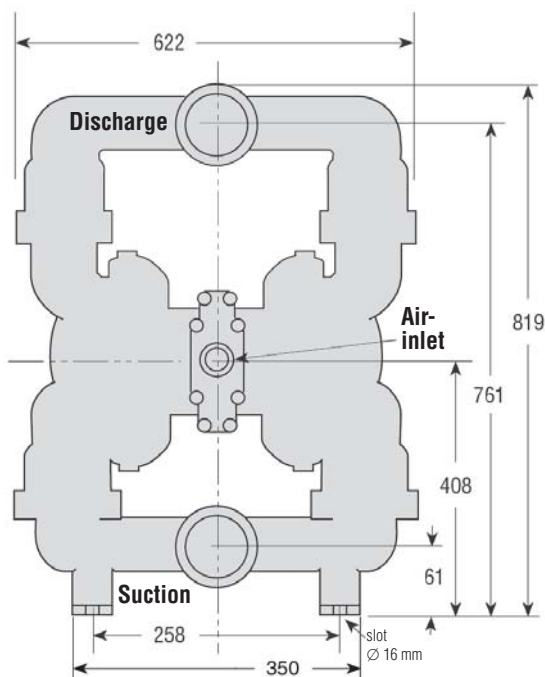
Model 3" Bolted Version (metallic)

Typical application:

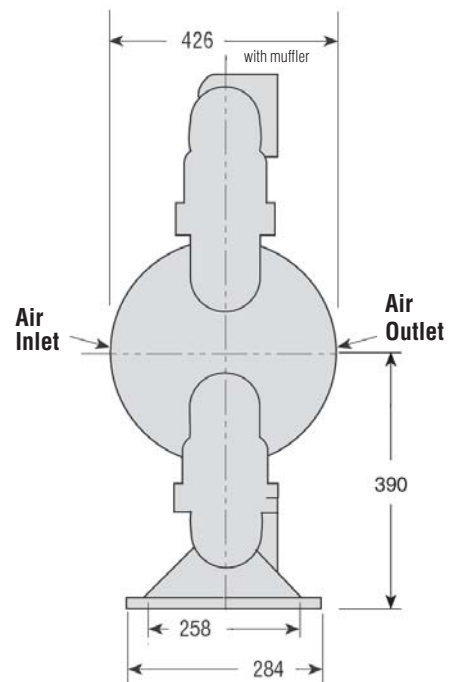
Paint, latex, ceramic slip, slurries, polymers, tank car fill and empty



Suitable range of accessories see pages 186 - 197.



Front View



Side View

Adaptor of 3" NPT female thread to 3" BSP male thread is included in the scope of delivery.

Individual datasheets on request.
Dimensions in mm