

Lutz Double Diaphragm Pumps

Model 2" Bolted Version (non-metallic)

Operating data / Dimensions / Weights

	DMP 2" PP	DMP 2" Kynar®
Housing material:	Polypropylene	Kynar®
Diaphragm materials:	Geolast®, Santoprene®, Teflon®	Teflon®
Valve ball materials:	Geolast®, Santoprene®, Teflon®	Teflon®
Seals:	Geolast®, Santoprene®, Teflon®	Teflon®
Valve seat:	PP	Kynar®
Flow rate:	681 l/min.	681 l/min.
Volume per stroke:	3785 cm ³	3785 cm ³
Suction lift dry:	4.5 m	4.5 m
Suction lift Teflon®:	3 m	3 m
Operating pressure:	max. 6.8 bar	max. 4.8 bar
Temperature limits:	66 °C	93 °C
Solids handling:	max. ø 8.2 mm	max. ø 8.2 mm
Air inlet:	3/4" NPT female (3/4" BSP female) ¹⁾	3/4" NPT female (3/4" BSP female) ¹⁾
Air outlet:	3/4" NPT female	3/4" NPT female
Suction:	Flange DIN DN 50 PN 10/ ANSI B16.5 2" 150 PSI	Flange DIN DN 50 PN 10/ ANSI B16.5 2" 150 PSI
Discharge:	Flange DIN DN 50 PN 10/ ANSI B16.5 2" 150 PSI	Flange DIN DN 50 PN 10/ ANSI B16.5 2" 150 PSI
Weight:	22 kg	31 kg

¹⁾if the air flow control valve is used (not included in the delivery extent – see accessories).

Material description:

Geolast®	= NBR/PP-compound
Kynar®	= PVDF = Polyvinylidenfluoride
Polypropylene	= PP
Santoprene®	= EPDM/PP-compound
Teflon®	= PTFE = Polytetrafluorethylene

Type	Materials of construction		Order No.
	Housing	Diaphragm, Valve balls, Seals	
DMP 2" PPB Geolast®	PP	Geolast®	5704+000
DMP 2" PPT Teflon®	PP	Teflon®	5704+020
DMP 2" PPE Santoprene®	PP	Santoprene®	5704+100
DMP 2" PPT/TF Teflon®***	PP	Teflon®	5704+220
DMP 2" KNT Teflon®	Kynar®	Teflon®	5704+060
DMP 2" KNT/TF Teflon®***	Kynar®	Teflon®	5704+240

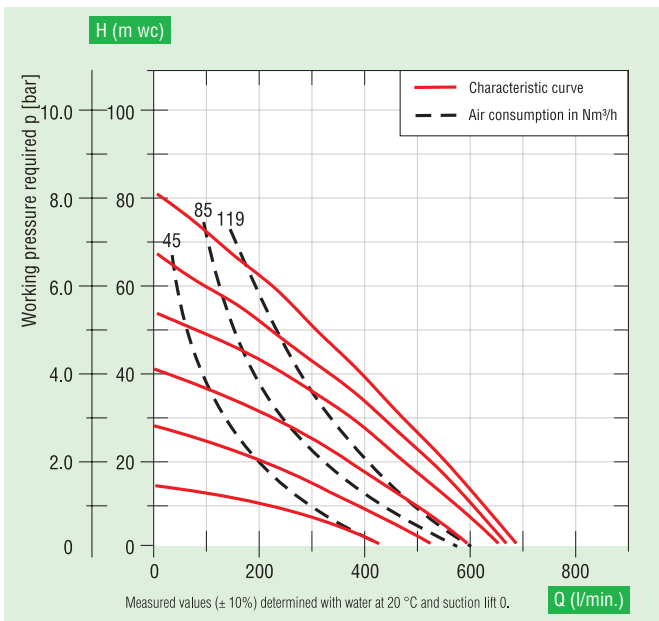
***Teflon-coated clamp fittings and bolts

Lutz Double Diaphragm Pumps

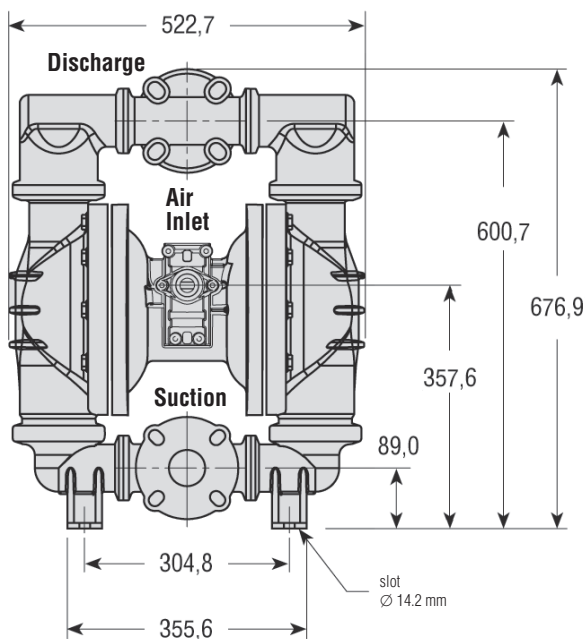
Model 2" Bolted Version (non-metallic)

Typical application:

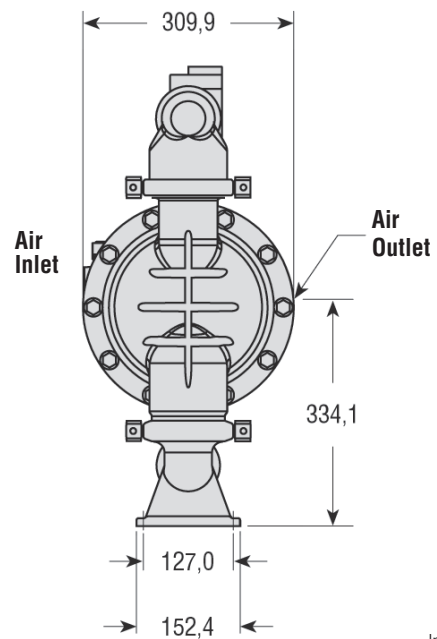
Paint, latex, ceramic slip, slurries, polymers, tank car fill and empty, foods



Suitable range of accessories see general catalogue.



Front View



Side View

Individual datasheets on request.
Dimensions in mm