

Lutz Double Diaphragm Pumps

Model 2" Bolted Version (metallic)

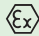
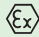
Operating data / Dimensions / Weights

	DMP 2" Aluminium	DMP 2" Stainless Steel
Housing material:	Aluminium	Stainless Steel 1.4404 (316)
Diaphragm materials:	Geolast®, Teflon®, Santoprene®	Geolast®, Teflon®, Santoprene®
Valve ball materials:	Geolast®, Teflon®, Santoprene®	Geolast®, Teflon®, Santoprene®
Seals:	Geolast®, EPDM, Teflon®	Geolast®, EPDM, Teflon®
Valve seat:	PP, Nylon	Stainless Steel
Flow rate:	681 l/min.	681 l/min.
Volume per stroke:	3785 cm ³	3785 cm ³
Suction lift dry:	4.5 m	4.5 m
Suction lift Teflon®:	3 m	3 m
Operating pressure:	max. 8.2 bar	max. 8.2 bar
Temperature limits:	93 °C	93 °C
Solids handling:	max. ø 6.4 mm	max. ø 6.4 mm
Air inlet:	3/4" NPT female (3/4" BSP female) ¹⁾	3/4" NPT female (3/4" BSP female) ¹⁾
Air outlet:	3/4" NPT female	3/4" NPT female
Suction:	2" BSP female	2" BSP female
Discharge:	2" BSP female	2" BSP female
Weight:	28 kg	60 kg

¹⁾if the air flow control valve is used (not included in the delivery extent – see accessories).

Material description:

Geolast®	= NBR/PP-compound
Nylon	= PA = Polyamide-compound
Polypropylene	= PP
Santoprene®	= EPDM/PP-compound
Teflon®	= PTFE = Polytetrafluorethylene
Viton®	= FPM = Fluoro Elastomer

Type	Materials of construction		Order No.
	Housing	Diaphragm, Valve balls, Seals	
DMP 2" ALB Alu/Geolast®	Aluminium	Geolast®	5714+000
DMP 2" ALT Alu/Teflon®	Aluminium	Teflon®	5714+020
DMP 2" ALE Alu/Santoprene®	Aluminium	Santoprene®	5714+040
DMP 2" ALTS Alu/Teflon®/Santoprene®* 	Aluminium	Teflon® cond./Santoprene®	5714+021
DMP 2" SST SS/Teflon®	Stainless Steel	Teflon®	5724+000
DMP 2" SSE SS/Santoprene®	Stainless Steel	Santoprene®	5724+020
DMP 2" SSB SS/Geolast®	Stainless Steel	Geolast®	5724+040
DMP 2" SSTS SS/Teflon®/Santoprene®* 	Stainless Steel	Teflon® cond./Santoprene®	5724+021

*Ex II 2G CT4

Teflon® and Viton® are registered Trademarks of DuPont Company. Kynar® is a registered Trademark of Pennwalt Corp. Santoprene® is a registered Trademark of Monsanto Company. Geolast® is a registered Trademark of Advanced Elastomer Systems.

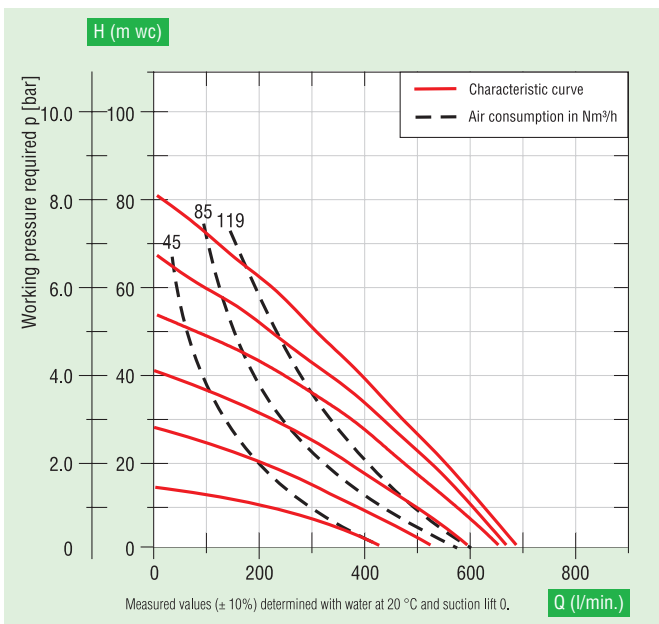


Lutz Double Diaphragm Pumps

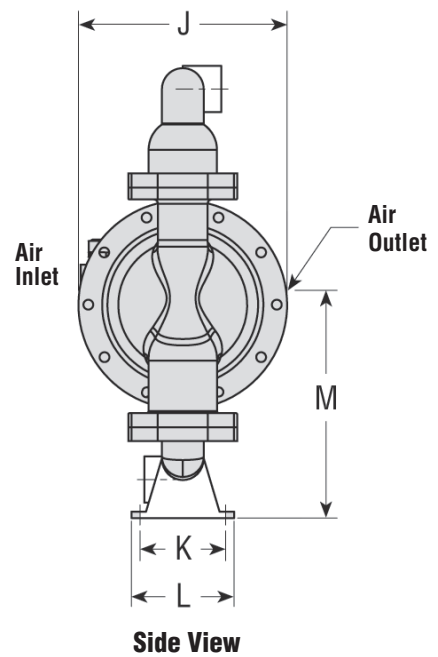
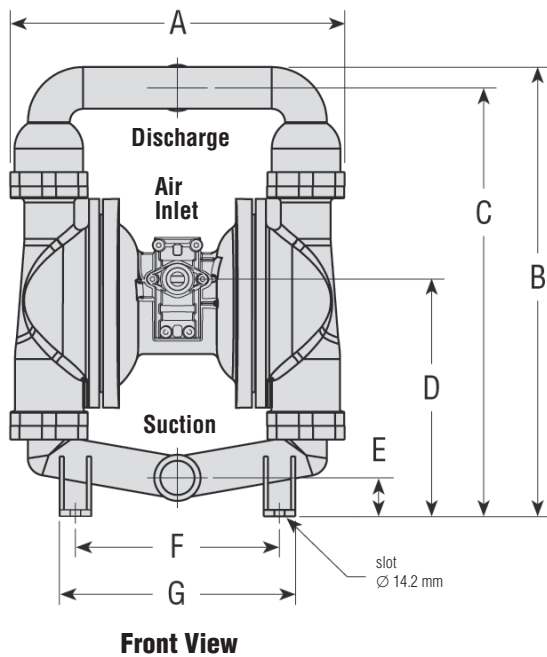
Model 2" Bolted Version (metallic)

Typical application:

Paint, latex, ceramic slip, slurries, polymers, tank car fill and empty, foods



Explosion proof protection
Suitable range of accessories for avoiding electrostatic charge see general catalogue.



Dimensions:	A	B	C	D	E	F	G	J	K	L	M
Model 2" Aluminium (BSP)	495	667	636	352	57.1	255.5	304.8	309.9	127	152.4	327.6
Model 2" SS (BSP)	495	625.3	584.2	382.3	89	304.8	351.5	309.9	127	152.4	358.1

Individual datasheets
on request.
Dimensions in mm